

# Supreme Metal Refrigerated Drop-ins



Refrigerated Drop-In Cold Pan models offer whisper quiet operation, 300 series stainless steel construction and available in 2-6 wells.

## Models Available

<b>DIRCP-2</b>	1/3 Hp. Compressor
<b>DIRCP-3</b>	1/3 Hp. Compressor
<b>DIRCP-4</b>	1/3 Hp. Compressor
<b>DIRCP-5</b>	1/2 Hp. Compressor
<b>DIRCP-6</b>	1/2 Hp. Compressor



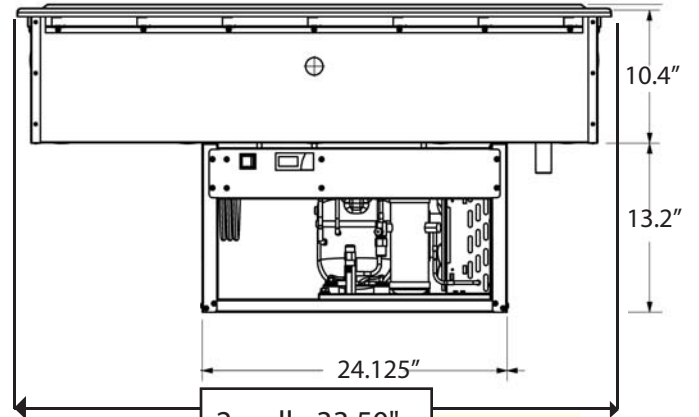
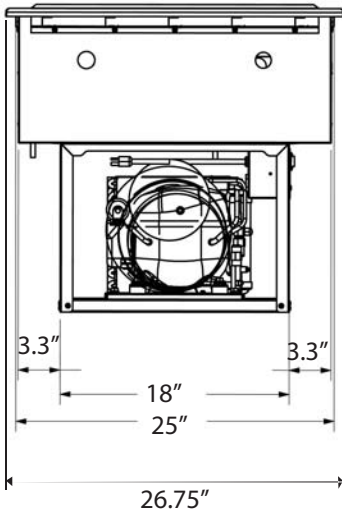
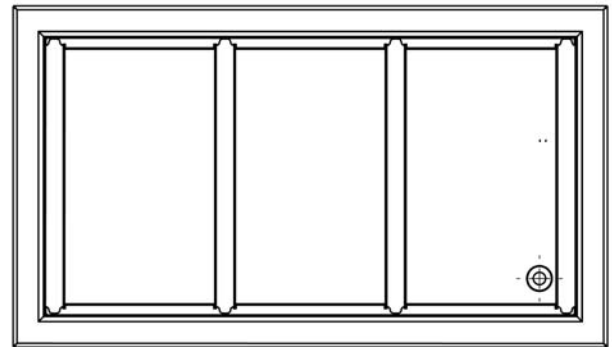
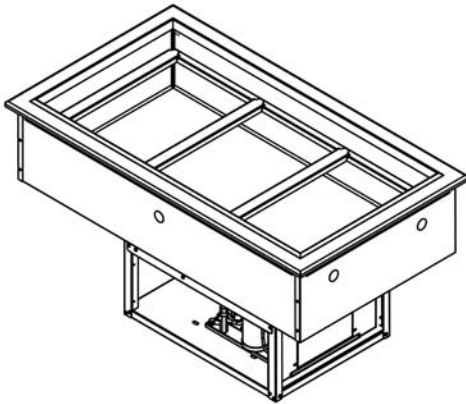
## Refrigerated Drop-In Specifications

- High nominal cooling capacity (1500 btuh) for guaranteed product temperature control
- Environmentally friendly R404-a refrigerant
- Aluminum encased copper tube evaporator panels improve heat transfer by increasing contact area. This increases operating efficiency and reduces power consumption.
- Expansion valve for efficient operation at various temperature conditions
- Refrigerant filter drier to insure cleanliness of sealed refrigeration circuit
- Sight glass to insure a properly charged refrigeration system
- Liquid receiver for improved refrigerant charge control
- Low running current suitable for any 115 volt circuit
- Precision electronic thermostat for exact temperature control.
- Foamed-in thermal insulation for lower heat gain into product
- Switched 115 VAC receptacles to power condensing unit and remote ventilation fan (optional).
- Easy serviceability



# Refrigerated Drop-in Specs & Pricing

Model #	List Price
DIRCP-2	\$3600
DIRCP-3	\$4000
DIRCP-4	\$4400
DIRCP-5	\$4800
DIRCP-6	\$5400



- 2 well - 33.50"
- 3 well - 47.00"
- 4 well - 60.50"
- 5 well - 74.00"
- 6 well - 87.50"