

Supreme Metal Vinyl Clad Buffet Tables



Portable Buffet Tables are available in black vinyl clad finish. All units are supplied with a stainless steel tray rail, casters and Lexan® sneeze guard.

Models Available

Electric Buffet Tables

Cold Pan Buffet Tables

Solid Top Buffet Tables

Cash Register Stand

Silverware/Tray Stand

Accessories

Heat Lamp Assembly

Solid Tray Shelf

Tubular Tray Rails

Stainless Steel End Shelf



Buffet Table with Heat Lamp Option

Buffet Specifications

- 6' electrical cord with plug
- Infinite control knobs
- Indicator lights
- Single phase wiring
- 500 Watt elements (120 volt)
- 750 Watt elements (208 volt)
- 1000 Watt elements (240 volt)
- Fiberglass insulation between each compartment



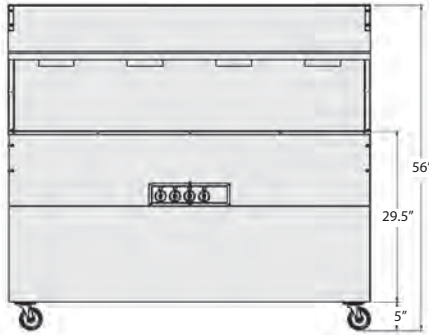
Cash Register Stand



Silverware/Tray Stand



Buffet Table Specs & Pricing



EXPOSED ELEMENTS W/OPEN BASE

MODEL #	MODEL #	LIST
B2-120-B	B2-208/240-B	\$2698
B3-120-B	B3-208/240-B	\$2957
B4-120-B	B4-208/240-B	\$3471
	B5-208/240-B	\$4242

EXPOSED ELEMENTS W/SOLID BASE

MODEL #	MODEL #	LIST
B2-120-B-SB	B2-208/240-B-SB	\$2764
B3-120-B-SB	B3-208/240-B-SB	\$3052
B4-120-B-SB	B4-208/240-B-SB	\$3599
	B5-208/240-B-SB	\$4403

EXPOSED ELEMENTS W/OPEN BASE & S/S WELLS

B2-120-B-S	B2-208/240-B-S	\$2802
B3-120-B-S	B3-208/240-B-S	\$3111
B4-120-B-S	B4-208/240-B-S	\$3676
	B5-208/240-B-S	\$4498

EXPOSED ELEMENTS W/SOLID BASE & S/S WELLS

B2-120-B-SB-S	B2-208/240-B-SB-S	\$2867
B3-120-B-SB-S	B3-208/240-B-SB-S	\$3207
B4-120-B-SB-S	B4-208/240-B-SB-S	\$3804
	B5-208/240-B-SB-S	\$4659

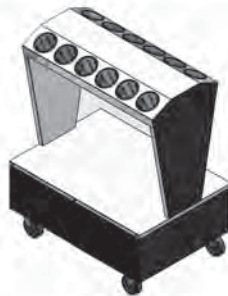
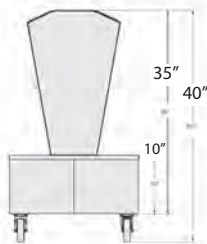
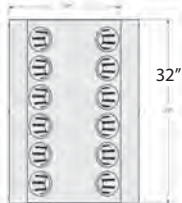
SEALED WELL NO DRAIN W/OPEN BASE

BSW2-120-B	BSW2-208/240-B	\$3019
BSW3-120-B	BSW3-208/240-B	\$3525
BSW4-120-B	BSW4-208/240-B	\$4146
	BSW5-208/240-B	\$5084

SEALED WELL NO DRAIN W/SOLID BASE

BSW2-120-B-SB	BSW2-208/240-B-SB	\$3085
BSW3-120-B-SB	BSW3-208/240-B-SB	\$3620
BSW4-120-B-SB	BSW4-208/240-B-SB	\$4274
	BSW5-208/240-B-SB	\$5245

19" Utensil Stand



COLD PAN

B2-CPU-B	\$2442
B3-CPU-B	\$2829
B4-CPU-B	\$3213
B5-CPU-B	\$3599

COLD PAN W/SOLID BASE

B2-CPU-B-SB	\$2507
B3-CPU-B-SB	\$2924
B4-CPU-B-SB	\$3342
B5-CPU-B-SB	\$3759

SOLID TOP

B2-STU-B	\$2185
B3-STU-B	\$2570
B4-STU-B	\$2957
B5-STU-B	\$3342

SOLID TOP W/SOLID BASE

B2-STU-B	\$2250
B3-STU-B	\$2667
B4-STU-B	\$3085
B5-STU-B	\$3502

CASH REGISTER STAND

BCRS-B	\$1543
--------	--------

SILVERWARE STAND

BSWS-B	\$2056
--------	--------

Cash Register Stand



HEAT LAMPS

HL-2	\$1166
HL-3	\$1749
HL-4	\$2332
HL-5	\$2915

END SHELF

BES-2	\$257
-------	-------

