

Prestige 24 Series

Spec Sheet No. PR-30

Job Name _____

Item No. _____

Ice Chest Standard Features

- All stainless steel structure from top to bottom.

Without Cold Plate

- PRI-24-24
- PRI-24-30
- PRI-24-36
- PRI-24-42
- PRI-24-48

- Mirrored front molding on all units.

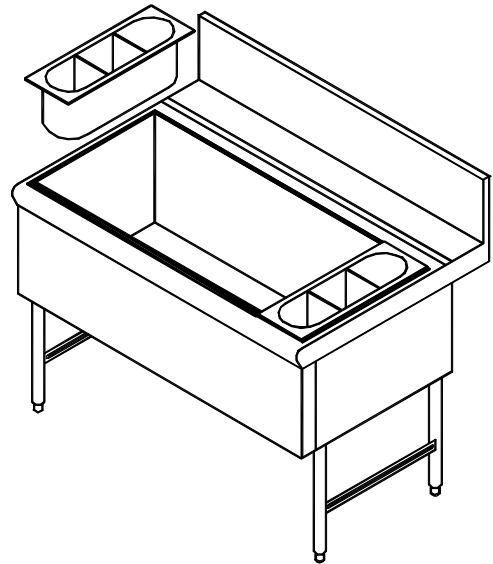
- All units are foam insulated.

- Extruded black polyethylene thermal breaker marine edge.

With Cold Plate

- PRI-24-24-8
- PRI-24-30-8
- PRI-24-36-8
- PRI-24-42-8
- PRI-24-48-8

- 3 pack bottle storage rack standard.



Specifications

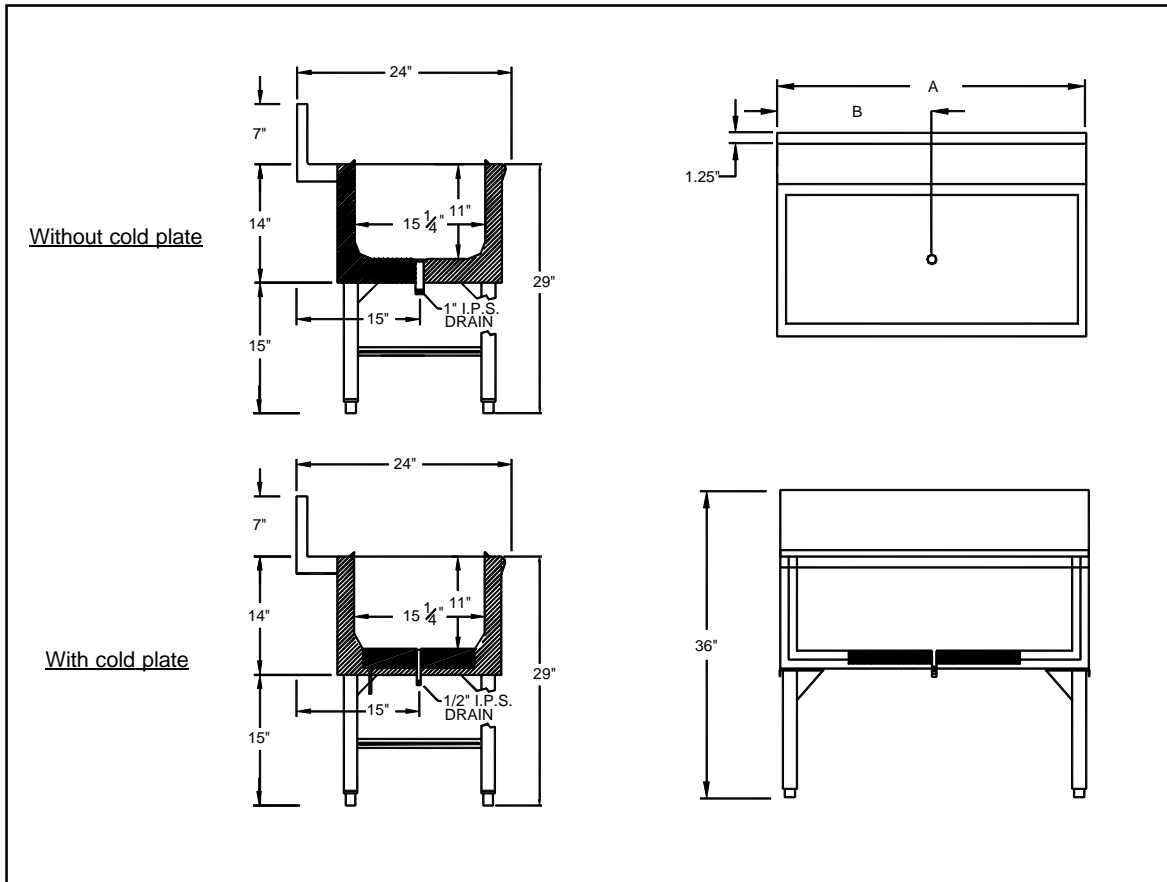
- **Ice Bin:** 20 gauge 300 series stainless steel.
- **Cold Plate:** Cast aluminum 8 circuit fast flow with 5/16" diameter bump and swedge syrup ends. (optional)
- **Front Apron:** 20 gauge 300 series stainless steel.
- **Sides:** 20 gauge 300 series stainless steel.
- **Backsplash:** 20 gauge 300 series stainless steel.
- **Plumbing:** 1" I.P.S. drain for non-cold plate units and 1/2" I.P.S. drain for cold plate units.
- **Insulation:** 2 lbs. density, foam in place insulation.
- **Legs:** 14 gauge 300 series stainless steel mounting bracket with 1-5/8" O.D. 18 gauge 300 series stainless steel & 1" adjustable stainless steel bullet feet.
- **Bottle Wells:** Injection molded polypropylene. (removable)



Supreme Metal

Toll Free: 800-645-2526
www.suprememetal.com

Prestige 24 Series



Model Number	Overall Length (A)	Distance to Drain (B)	8 Circuit Cold Plate	Inside Ice Bin Length	Ice Capacity	Packaged Weight	Cubic Feet
PRI-24-24	24"	12"	NO	22"	70	70	11
PRI-24-30	30"	15"	NO	28"	89	75	16
PRI-24-36	36"	18"	NO	34"	108	80	16
PRI-24-42	42"	21"	NO	40"	127	85	17
PRI-24-48	48"	24"	NO	46"	146	90	17
PRI-24-24-8	24"	12"	YES	22"	70	140	11
PRI-24-30-8	30"	15"	YES	28"	89	145	16
PRI-24-36-8	36"	18"	YES	34"	108	150	16
PRI-24-42-8	42"	21"	YES	40"	127	155	17
PRI-24-48-8	48"	24"	YES	46"	146	160	17

SupremeMetal is constantly engaged in a program of improving their products. We reserve the right to change our specifications without prior notice.