

Challenger

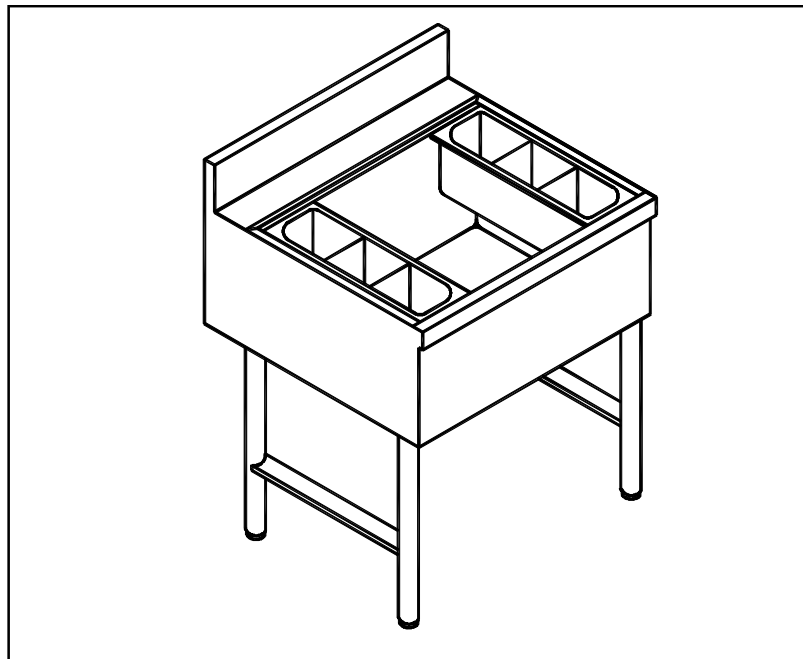
Spec Sheet No. CR-11

Job Name _____

Item No. _____

Ice Bin with cold plate

- CRI-12-24-7
- CRI-12-30-7
- CRI-12-36-7
- CRI-12-48-7



Specifications

•**Ice Bin:** 22 gauge 300 series stainless steel.

•**Front Apron:** 22 gauge 300 series stainless steel.

•**Sides:** 20 gauge 430 series stainless steel.

•**Backsplash:** 22 gauge 300 series stainless steel.

•**Insulation:** 2 lb. density styrofoam.

•**Bottle Rack:** (2) Injection molded plastic.

•**Under Structure:** 22 gauge galvaneal fronts and backs, 11 gauge electrogalvaneal leg channel.

•**Legs:** 1-5/8" O.D. 18 gauge galvanized with electro static black powder coat and black plastic adjustable bullet feet. To include stainless steel legs add the suffix -SS.(Optional)

•**Plumbing:** 1/2" I.P.S. drain.

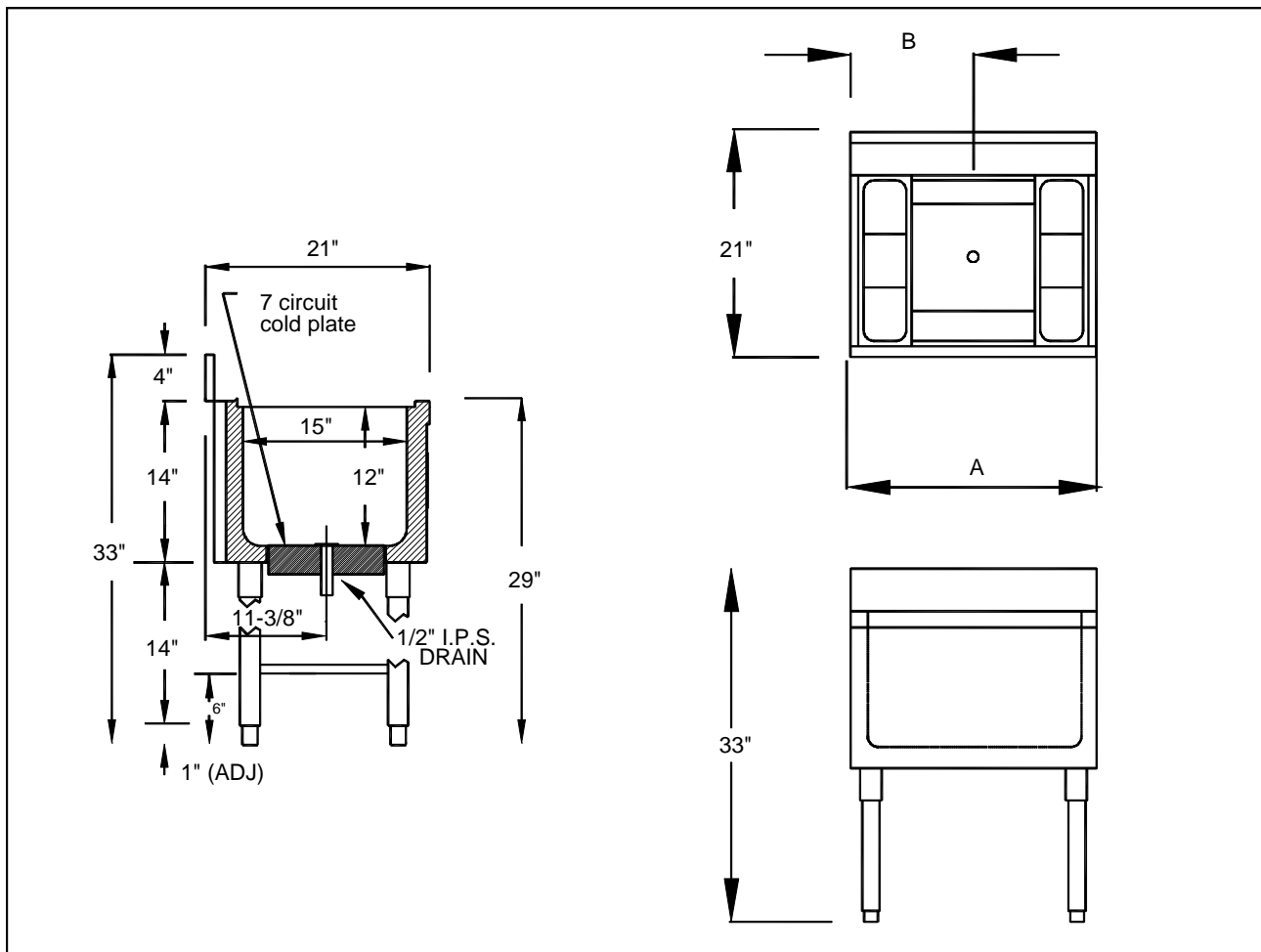
•**Cold Plate:** Cast aluminum with 7 circuits sealed into the bottom. Tubing to have 5 syrup and 2 water lines with 5/16" diameter stainless steel bump and swedge ends.



Supreme Metal



Challenger



| Model Number | Dimension A | Dimension B | Ice Capacity | Packaged Weight | Packaged Cubic Feet |
|--------------|-------------|-------------|--------------|-----------------|---------------------|
| CRI-12-24-7 | 23" | 11.5" | 100 lbs. | 93 lbs. | 8 |
| CRI-12-30-7 | 29" | 14.5" | 150 lbs. | 95 lbs. | 11 |
| CRI-12-36-7 | 35" | 17.5" | 180 lbs. | 97 lbs. | 12.6 |
| CRI-12-48-7 | 47" | 23.5" | 250 lbs. | 119 lbs. | 13.8 |

SupremeMetal is constantly engaged in a program of improving their products. We reserve the right to change our specifications without prior notice.